

The half-couplings series SGE\*\*\* allow secure transmission between the electric motor and the driven side; they are able to absorb shocks and vibration, in addition to compensating radial misalignment, angular and axial.

The assembly of the couplings can be horizontal/vertical, withstanding vibration and load reversals.

The complete range of couplings are extrapolated from the on-line software, with a length equal than the shaft on which must be mounted and they are completed with grub screw for fixing located on the key.

Available for cylindrical shaft with metric and imperial dimensions as well for splined shafts as per specification DIN, ISO and SAE.

## Admissible misalignment radial, angular and axial

### Max admissible radial misalignment

Half-coupling	R [mm]
SGE * 01	0.5
SGE * 21	1.0
SGE * 31	1.0
SGE * 40	1.0
SGE * 51	1.5
SGE * 60	1.5
SGE * 80	2.0
SGE * 90	2.0

### Max admissible angular misalignment

Half-coupling	$\beta$ [°]
SGE * 01	1.5°
SGE * 21	
SGE * 31	
SGE * 40	
SGE * 51	
SGE * 60	
SGE * 80	
SGE * 90	

### Max admissible angular alignment

Half-coupling	A [mm]
SGE * 01	2.0
SGE * 21	2.5
SGE * 31	3.0
SGE * 40	3.5
SGE * 51	3.5
SGE * 60	3.5
SGE * 80	4.0
SGE * 90	5.0

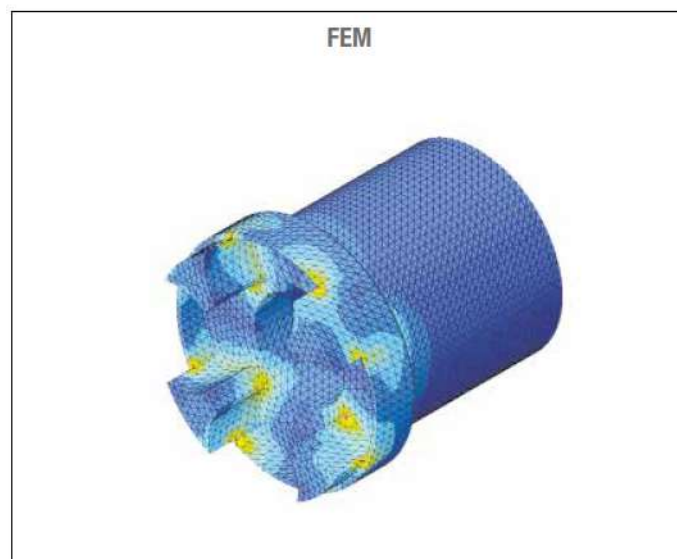
## Standard ATEX 2014/34/EU

Half-couplings are available to use in hazardous area.

The couplings are certified according to Standard ATEX 2014/34/EU - Category certified 2G - Area 1 and 2.

Other information available on our web site "www.mpfiltri.com".

## MP Filtri couplings are developed with:



Drawings 3D available on website [www.mpfiltri.com](http://www.mpfiltri.com) at section TOOLS.

Examples verification of the coupling

Torque transmitted by electric motor:

**Mt:**  $9560 \times \text{kW} / \text{rpm} = \text{Nm}$

**Me >**  $Mt \times S = \text{Nm}$

Where:

**Mt:** Torque transmitted by electric motor

**Me:** Torque transmitted by coupling

**kW:** Power of electric motor

**Rpm:** Revolutions per minute of electric motor

**S:** Service factor

Table 1

<b>Small pumps, uniform load, low operating pressures</b> e.g. rotary action machine tools - 5/8 work cycles per hour	<b>1.3</b>
<b>Small pumps, uniform load, high working pressures</b> e.g. lifting equipment - 120-150 work cycles per hour	<b>1.5</b>
<b>Pumps, non-uniform load</b> e.g. lifting equipment - 280-300 work cycles per hour	<b>1.7</b>

**Example**

Electric motor, 4 pole - 4 kW  
hydraulic pump, uniform load, low operating pressure

**Mt:**  $9560 \times 4 / 1500 = 25.45 \text{ Nm}$

**Me >**  $25.45 \times 1.3 = 33 \text{ Nm}$

**Half-coupling SGEA21 meets the above requirement.**

Select the half-coupling of the calculated size from the motor half-couplings table.

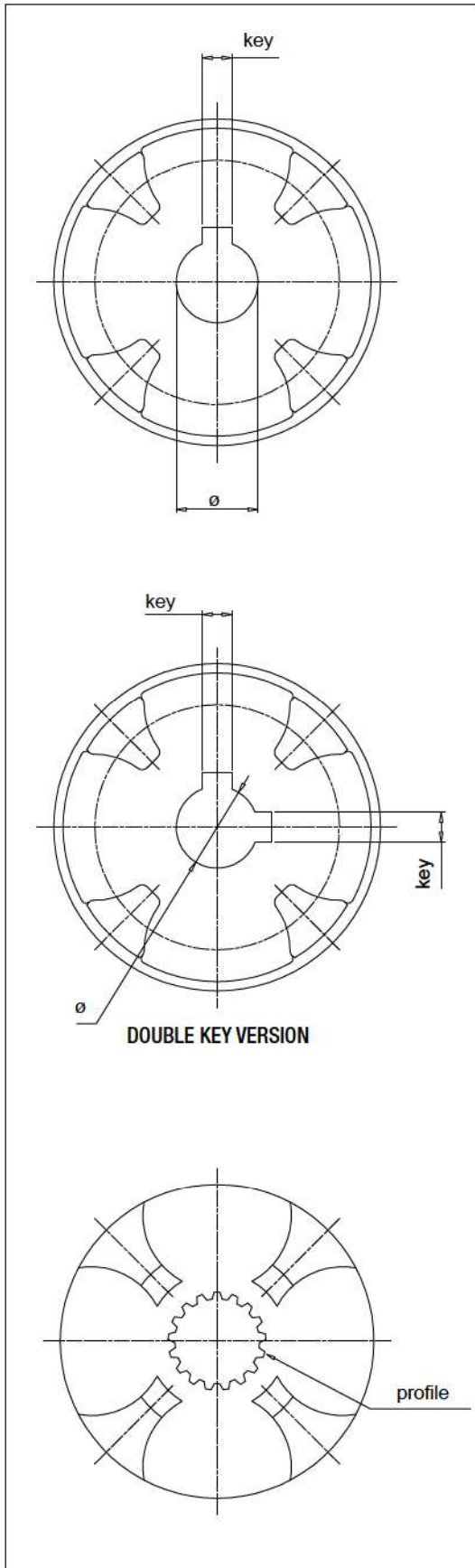
**Note:** When selecting the coupling, remember that for pumps with splined shaft, only cast iron couplings of the SGEG series can be used.

Determine the size of the coupling according to the type of installation and application envisaged, on the basis of the formulas and the following tables:

Table 2

Half-coupling type	External diameter [mm]	Nominal torque Me - Nm	Maximum transmissible torque Me - Nm	
<b>SGEA01</b>	43	15	20	
<b>SGEA21</b>	68	160	190	
<b>SGEA31</b>	75	340	380	
<b>SGEA51</b>	109.5	550	620	<b>ALUMINIUM</b>
<b>SGEG01</b>	40	20	30	
<b>SGEG30</b>	80	400	450	
<b>SGEG40</b>	95	550	620	
<b>SGEG60</b>	120	760	850	
<b>SGEG80</b>	160	2200	2500	
<b>SGEG90</b>	200	5500	6100	<b>CAST IRON</b>
<b>SGES40</b>	95	550	620	
<b>SGES60</b>	120	760	850	
<b>SGES80</b>	180	2200	2500	<b>STEEL</b>

Nominal and maximum torque values are referred to couplings assembled with standard flexible spiders of the EGE\*\* series (see page 31). Where higher torques are to be transmitted, use flexible spiders of the EGE\*\*RR series (see page 31).



Parallel shaft - Metric Dimensions

ø [mm]	key [mm]	Code
12	4	C00
15	5	C01
16	4	C02
16	5	C03
17	5	C04
18	6	C05
20	5	C06
19	5	C07
30	10	C08
20	6	C09
16	5	C10
15	4	C11
22	6	D00
24	6	D01
25	8	D02
30	8	D03
32	10	D04
35	10	D05
40	12	D06
45	14	D07
50	14	D08
70	20	D09
22	8	D10
52	16	D20
8	3	E00
10	3	E01
22	5	E02
32	8	E03
35	8	E04
82	22	E05
25	7	E06
63	18	E07
9	3	M00
11	4	M01
14	5	M02
19	6	M03
24	8	M04
28	8	M05
38	10	M06
42	12	M07
48	14	M08
55	16	M09
60	18	M10
65	18	M11
75	20	M12
80	22	M13
90	25	M14
95	25	M15
100	28	M16
110	28	M17
85	22	M18

Parallel shaft - Imperial Dimensions

ø		key		Code
[inch]	[mm]	[inch]	[mm]	
3/16"	11.11	1/8"	3.18	G00
3/4"	19.05	3/16"	4.76	G01
7/8"	22.22	3/16"	4.76	G02
1/4"	22.22	1/4"	6.35	G03
1"	25.4	1/4"	6.35	G04
1"	25.40	3/16"	4.76	G05
1 1/4"	31.75	1/4"	6.35	G06
1 1/4"	31.75	5/16"	7.94	G07
1 3/8"	34.94	5/16"	7.94	G08
1 1/2"	38.1	3/8"	9.52	G09
1 5/8"	41.27	3/8"	9.52	H00
1 3/4"	44.45	7/16"	11.11	H01
2"	50.8	1/2"	12.7	H02
2 11/32"	53.94	1/2"	12.7	H03
3/4"	19.02	1/2"	3.17	H04
1"	25.4	3/16"	4.76	H05
5/8"	15.87	3/16"	4.76	H06
17/32"	13.45	1/8"	3.18	H07
1/2"	17.46	3/16"	4.76	H08
5/8"	12.7	1/8"	3.18	H09
7/8"	15.87	5/32"	3.97	L00
1 1/8"	22.22	5/32"	4	L01
3/4"	28.58	1/4"	6.35	L02
1 7/8"	19.05	1/42"	6.35	L03
3 3/8"	47.63	1/2"	12.7	L04
2 3/8"	85.73	7/5"	22.23	L05
2 3/8"	60.33	5/8"	15.88	L06
2 3/8"	60.33	1/2"	12.7	L07
3 5/8"	73.03	3/4"	19.05	L08
1 5/8"	92.07	7/8"	22.22	L09
1 1/8"	41.6	15/32"	12	L10
5/16"	28.58	5/16"	7.94	L15

Parallel shaft - Double Key

ø [mm]	key [mm]	Code
16.00	4.00	C02***2H
	5.00	
20.00	5.00	C06***2M
	6.00	
19.00	5.00	C07***2L
	6.00	
24.00	6.00	D01***2N
	8.00	
30.00	8.00	D03***2P
	10.00	
22.22	4.76	G02***2E
	6.35	
25.40	6.35	G04***2F
	4.76	
31.75	6.35	G06***2G
	7.94	

\*\*\* = coupling length

## SAE Bore - ANS.B.92.1-1970

Profile	Nr. of Th	Code
17 th 8/16	17	<b>PD01</b>
14 th 12/24	14	<b>PD02</b>
16 th 12/24	16	<b>PD03</b>
17 th 12/24	17	<b>PD04</b>
9 th 16/32	9	<b>PD05</b>
11 th 16/32	11	<b>PD06</b>
12 th 16/32	12	<b>PD07</b>
13 th 16/32	13	<b>PD08</b>
15 th 16/32	15	<b>PD09</b>
21 th 16/32	21	<b>PD10</b>
23 th 16/32	23	<b>PD11</b>
27 th 16/32	27	<b>PD12</b>
40 th 16/32	40	<b>PD13</b>
20 th 24/48	20	<b>PD14</b>
21 th 24/48	21	<b>PD15</b>
23 th 24/48	23	<b>PD16</b>
25 th 24/48	25	<b>PD17</b>
26 th 24/48	26	<b>PD18</b>
27 th 24/48	27	<b>PD19</b>
28 th 24/48	28	<b>PD20</b>
29 th 24/48	29	<b>PD21</b>
32 th 24/48	32	<b>PD22</b>
21 th 32/64	21	<b>PD23</b>
30 th 32/64	30	<b>PD24</b>
33 th 32/64	33	<b>PD25</b>
23 th 40/80	23	<b>PD26</b>
36 th 48/96	36	<b>PD27</b>
41 th 48/96	41	<b>PD28</b>
47 th 48/96	47	<b>PD29</b>
13 th 8/16	13	<b>PD30</b>
15 th 8/16	15	<b>PD31</b>
14 th 16/32	14	<b>PD32</b>
40 th 16/32	40	<b>PD33</b>
33 th 16/32	33	<b>PD34</b>
9 th 20/40	9	<b>PD35</b>
10 th 16/32	10	<b>PD36</b>
25 th 20/40	25	<b>PD37</b>

## Splined bore as per standard DIN5480

Profile	Nr. of Th	Code
W18 x 1.25 x 13	13	<b>PA01</b>
W20 x 1.25 x 14	14	<b>PA02</b>
W25 x 1.25 x 18	18	<b>PA03</b>
W28 x 1.25 x 21	21	<b>PA04</b>
W32 x 1.25 x 24	24	<b>PA05</b>
W38 x 1.25 x 29	29	<b>PA06</b>
W30 x 2 x 14	14	<b>PA07</b>
W32 x 2 x 14	14	<b>PA08</b>
W35 x 2 x 16	16	<b>PA09</b>
W37 x 2 x 17	17	<b>PA10</b>
W38 x 2 x 18	18	<b>PA11</b>
W40 x 2 x 18	18	<b>PA12</b>
W42 x 2 x 18	18	<b>PA13</b>
W45 x 2 x 21	21	<b>PA14</b>
W50 x 2 x 24	24	<b>PA15</b>
W55 x 2 x 26	26	<b>PA16</b>
W60 x 2 x 28	28	<b>PA17</b>
W70 x 2 x 34	34	<b>PA18</b>
W80 x 2 x 38	38	<b>PA19</b>
W60 x 3 x 18	18	<b>PA20</b>
W70 x 3 x 22	22	<b>PA21</b>
W75 x 3 x 24	24	<b>PA22</b>
W90 x 3 x 28	28	<b>PA23</b>
W105 x 3 x 34	34	<b>PA24</b>
W80 x 3 x 25	25	<b>PA25</b>
W50 x 1.25 x 38	38	<b>PA26</b>
W62 x 1.25 x 48	48	<b>PA27</b>
W40 x 1.5 x 25	25	<b>PA28</b>
W32 x 1.5 x 20	20	<b>PA29</b>
W40 x 1.25 x 30	30	<b>PA30</b>

## Splined bore as per standard DIN5481

Profile	Nr. of Th	Code
8 x 10	28	<b>PC01</b>
10 x 12	30	<b>PC02</b>
12 x 14	31	<b>PC03</b>
15 x 17	32	<b>PC04</b>
17 x 20	33	<b>PC05</b>
21 x 24	34	<b>PC06</b>
26 x 30	35	<b>PC07</b>
30 x 34	36	<b>PC08</b>
60 x 65	41	<b>PC09</b>

## Splined bore as per standard DIN5482

Profile	Nr. of Th	Code
A15 x 12	8	<b>PB01</b>
A17 x 14	9	<b>PB02</b>
A18 x 15	10	<b>PB03</b>
A20 x 17	12	<b>PB04</b>
A22 x 19	13	<b>PB05</b>
A25 x 22	14	<b>PB06</b>
A28 x 25	15	<b>PB07</b>
A30 x 27	16	<b>PB08</b>
A32 x 28	17	<b>PB09</b>
A35 x 31	18	<b>PB10</b>
A38 x 34	19	<b>PB11</b>
A40 x 36	20	<b>PB12</b>
A42 x 38	21	<b>PB13</b>
A45 x 41	22	<b>PB14</b>
A48 x 44	23	<b>PB15</b>
A50 x 45	24	<b>PB16</b>
A52 x 47	25	<b>PB17</b>
A55 x 50	26	<b>PB18</b>
A58 x 53	27	<b>PB19</b>
A60 x 55	28	<b>PB20</b>
A62 x 57	29	<b>PB21</b>
A65 x 60	30	<b>PB22</b>
A68 x 62	31	<b>PB23</b>
A70 x 64	32	<b>PB24</b>
A72 x 66	33	<b>PB25</b>
A75 x 69	34	<b>PB26</b>
A78 x 72	35	<b>PB27</b>
A80 x 74	36	<b>PB28</b>
A82 x 76	37	<b>PB29</b>
A85 x 79	38	<b>PB30</b>
A88 x 82	39	<b>PB31</b>
A90 x 84	40	<b>PB32</b>
A92 x 86	41	<b>PB33</b>
A95 x 89	42	<b>PB34</b>
A98 x 92	43	<b>PB35</b>
A100 x 94	44	<b>PB36</b>